

1.1 CONTACT INFORMATION

Contact details

Company

Location

Contact person

e-mail

1.2 PROJECT PLANNING

Project details

Project Replacement Facility expansion New termina/plant

Project phase Budget FEED Study Tender

Planned date of site delivery

1.3 ENVIRONMENTAL DETAILS

Environmental influences

Location

City

Country

Terminal / plant name

Temperature

Min

Max

Seismic load

Peak ground acceleration
(g)

Max wind speed stored position

M/s

Max wind speed maneuvering

M/s

Hazardous Area Classification

ATEX / NEC

1.4 GENERAL REQUIREMENT

JLA Product	Product / Medium	Flowrate m ³ /h	Diameter (inch)	Operation	
Marine Loading Arm 1				<input type="checkbox"/> Manual	<input type="checkbox"/> Hydraulic
Marine Loading Arm 2				<input type="checkbox"/> Manual	<input type="checkbox"/> Hydraulic
Marine Loading Arm 3				<input type="checkbox"/> Manual	<input type="checkbox"/> Hydraulic
Marine loading Arm 4				<input type="checkbox"/> Manual	<input type="checkbox"/> Hydraulic
Marine Loading Arm 5				<input type="checkbox"/> Manual	<input type="checkbox"/> Hydraulic
Marine Loading Arm 6				<input type="checkbox"/> Manual	<input type="checkbox"/> Hydraulic
Marine Loading Arm 7				<input type="checkbox"/> Manual	<input type="checkbox"/> Hydraulic
Marine Loading Arm 8				<input type="checkbox"/> Manual	<input type="checkbox"/> Hydraulic

1.5 DESIGN DETAILS

JLA Product	Design pressure (bar)	Design temperature (min/max °C)	Operation	
Marine Loading Arm 1			<input type="checkbox"/> Manual	<input type="checkbox"/> Hydraulic
Marine Loading Arm 2			<input type="checkbox"/> Manual	<input type="checkbox"/> Hydraulic
Marine Loading Arm 3			<input type="checkbox"/> Manual	<input type="checkbox"/> Hydraulic
Marine loading Arm 4			<input type="checkbox"/> Manual	<input type="checkbox"/> Hydraulic
Marine Loading Arm 5			<input type="checkbox"/> Manual	<input type="checkbox"/> Hydraulic
Marine Loading Arm 6			<input type="checkbox"/> Manual	<input type="checkbox"/> Hydraulic
Marine Loading Arm 7			<input type="checkbox"/> Manual	<input type="checkbox"/> Hydraulic
Marine Loading Arm 8			<input type="checkbox"/> Manual	<input type="checkbox"/> Hydraulic

1.6 ACCESSORIES

JLA Product	QCDC		ERS		Vacuum breaker		Tracing and insulation		Vapour return line	
Marine Loading Arm 1	<input type="checkbox"/> yes	<input type="checkbox"/> no	<input type="checkbox"/> yes	<input type="checkbox"/> no	<input type="checkbox"/> yes	<input type="checkbox"/> no	<input type="checkbox"/> yes	<input type="checkbox"/> no	<input type="checkbox"/> yes	<input type="checkbox"/> no
Marine Loading Arm 2	<input type="checkbox"/> yes	<input type="checkbox"/> no	<input type="checkbox"/> yes	<input type="checkbox"/> no	<input type="checkbox"/> yes	<input type="checkbox"/> no	<input type="checkbox"/> yes	<input type="checkbox"/> no	<input type="checkbox"/> yes	<input type="checkbox"/> no
Marine Loading Arm 3	<input type="checkbox"/> yes	<input type="checkbox"/> no	<input type="checkbox"/> yes	<input type="checkbox"/> no	<input type="checkbox"/> yes	<input type="checkbox"/> no	<input type="checkbox"/> yes	<input type="checkbox"/> no	<input type="checkbox"/> yes	<input type="checkbox"/> no
Marine loading Arm 4	<input type="checkbox"/> yes	<input type="checkbox"/> no	<input type="checkbox"/> yes	<input type="checkbox"/> no	<input type="checkbox"/> yes	<input type="checkbox"/> no	<input type="checkbox"/> yes	<input type="checkbox"/> no	<input type="checkbox"/> yes	<input type="checkbox"/> no
Marine Loading Arm 5	<input type="checkbox"/> yes	<input type="checkbox"/> no	<input type="checkbox"/> yes	<input type="checkbox"/> no	<input type="checkbox"/> yes	<input type="checkbox"/> no	<input type="checkbox"/> yes	<input type="checkbox"/> no	<input type="checkbox"/> yes	<input type="checkbox"/> no
Marine Loading Arm 6	<input type="checkbox"/> yes	<input type="checkbox"/> no	<input type="checkbox"/> yes	<input type="checkbox"/> no	<input type="checkbox"/> yes	<input type="checkbox"/> no	<input type="checkbox"/> yes	<input type="checkbox"/> no	<input type="checkbox"/> yes	<input type="checkbox"/> no
Marine Loading Arm 7	<input type="checkbox"/> yes	<input type="checkbox"/> no	<input type="checkbox"/> yes	<input type="checkbox"/> no	<input type="checkbox"/> yes	<input type="checkbox"/> no	<input type="checkbox"/> yes	<input type="checkbox"/> no	<input type="checkbox"/> yes	<input type="checkbox"/> no
Marine Loading Arm 8	<input type="checkbox"/> yes	<input type="checkbox"/> no	<input type="checkbox"/> yes	<input type="checkbox"/> no	<input type="checkbox"/> yes	<input type="checkbox"/> no	<input type="checkbox"/> yes	<input type="checkbox"/> no	<input type="checkbox"/> yes	<input type="checkbox"/> no

1.8 DIMENSIONS

Jetty Dimensions

A	Centerline of Base Riser to dock face	
B	Dock face to compressed fender	
C	Dock level to lowest low water	Min
D	Difference between lowest low water and highest high water	Max
	The minimum ship size	DWT
	The maximum ship size	DWT

Vessel Data

K	Min. Distance from ship railing to ship connection flange	mm
L	Max. Distance from ship railing to ship connection flange	mm
M	Minimum difference between Lowest low water and ship flange	mm
N	Maximum difference between Highest high water and Ship Flange	mm
O	Minimum spacing between ship flanges	mm
	Maximum spacing between ship flanges	mm
P	Rail height	mm
	Is the rail removable?	mm
Q	Height of center of ship flange to deck	mm

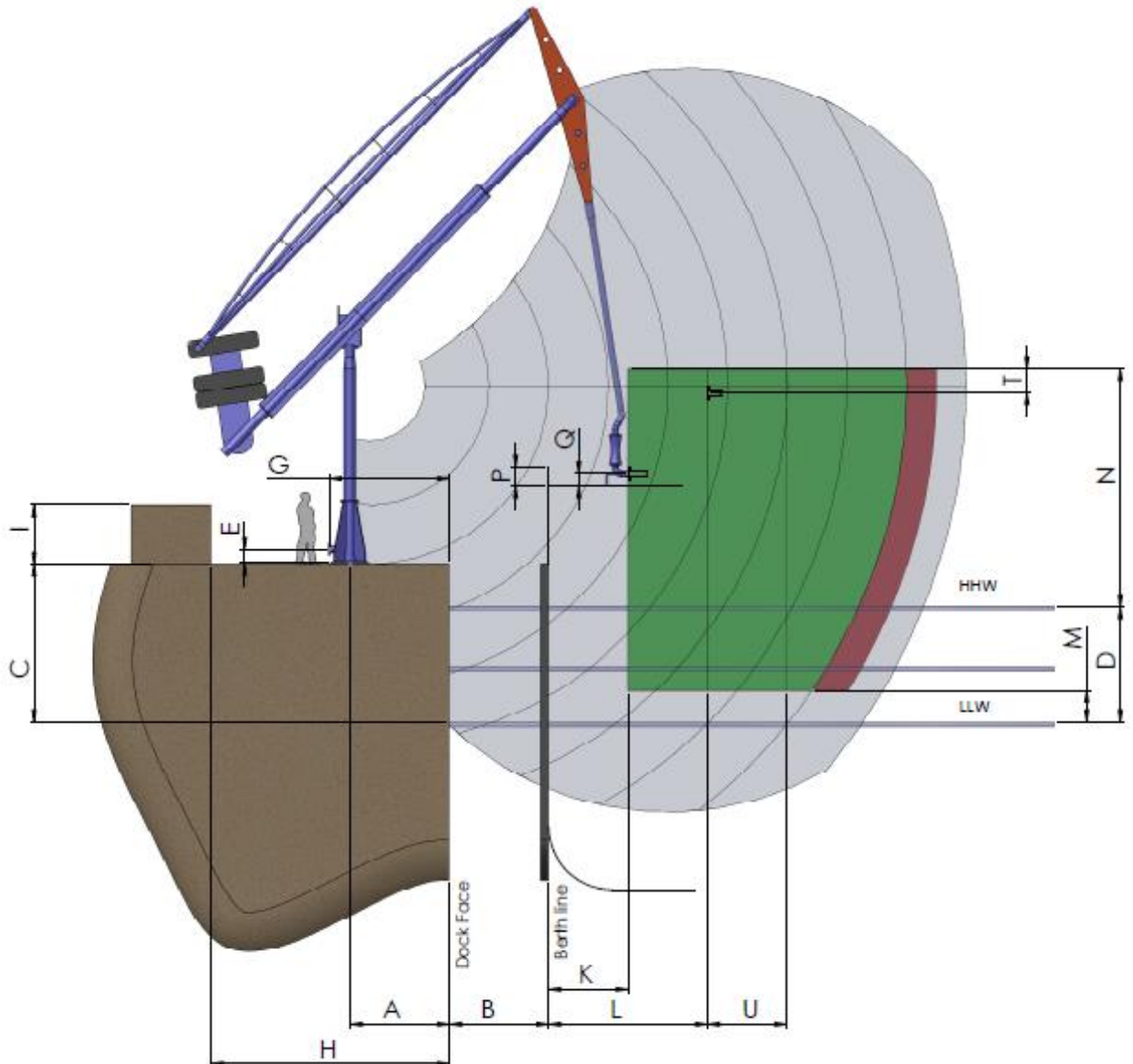
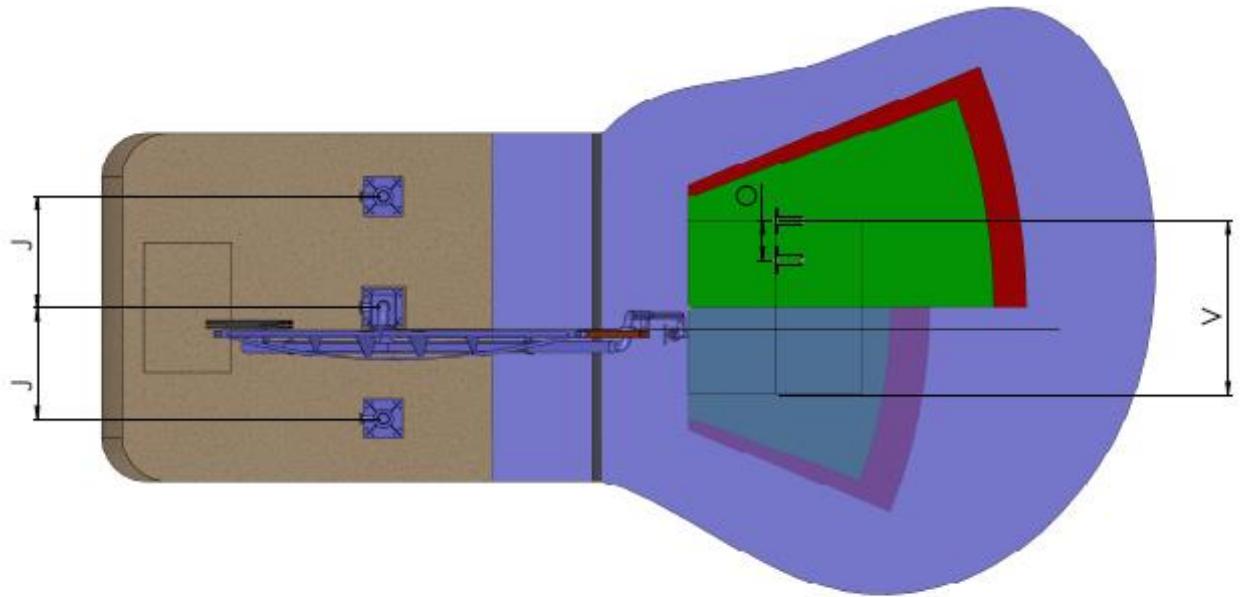
Ship Movements

T	Heave	mm
U	Sway	mm
V	Surge	mm

Additional jetty dimensions

E	Centerline of inlet flange to dock level	mm
G	Dock face to flange face	mm
H	Any dock conditions that limit the arm design	mm
I	Any dock conditions that limit the arm design	mm
J	Spacing between different base risers	mm

Marine Loading Arm Datasheet



1.9 CONTROL SYSTEM

Berth information

Berth customer reference

No. of New Marine Loading Arms

No. of existing Marine Loading Arms

Item	Configuration	Hazardous area classification	Included
1	Hydraulic control manifold	One (1) on each loading arm	<input type="checkbox"/> yes <input type="checkbox"/> no
2	Hydraulic Power Unit	Outside on jetty	<input type="checkbox"/> yes <input type="checkbox"/> no
3	Operation Control Panel at jetty nearby MLA	<input type="checkbox"/> Outdoor on jetty <input type="checkbox"/> Indoor in Berth control room	<input type="checkbox"/> yes <input type="checkbox"/> no <input type="checkbox"/> yes <input type="checkbox"/> no
4	Satellite control panel	<input type="checkbox"/> outdoor on berth	<input type="checkbox"/> yes <input type="checkbox"/> no
5	PLC control cabinet	<input type="checkbox"/> Integrated in operation control panel <input type="checkbox"/> Standalone PLC cabinet in control room	<input type="checkbox"/> yes <input type="checkbox"/> no <input type="checkbox"/> yes <input type="checkbox"/> no
6	Radio remote control		<input type="checkbox"/> yes <input type="checkbox"/> no
7	Pendant remote control	<input type="checkbox"/> On berth <input type="checkbox"/> At TSA (shipside)	<input type="checkbox"/> yes <input type="checkbox"/> no